

SEW EURODRIVE REMOTE SPEED CONTROL PAD



140168

FUNCTION

The **REMOTE SPEED CONTROL PAD** can be used to remotely control the cable speed when using SEW Eurodrive Gearmotors. Up to 31 units can be controlled with a single control pad.

SEW PART NO. MKP 11A

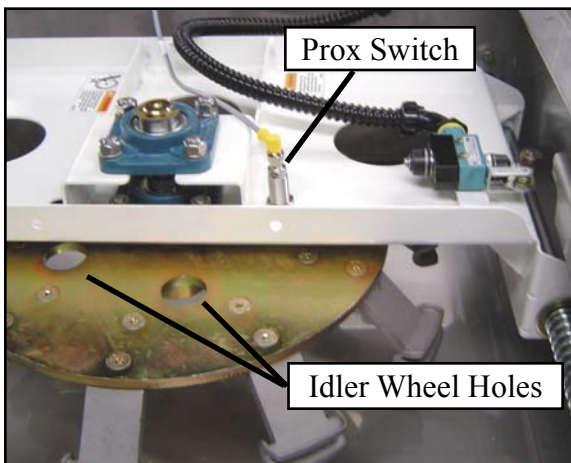


INSTALLATION

Follow the manufacturer's installation instructions when installing this control pad.

Obtain instructions from SEW EURODRIVE.
SEW FAXBACK LINE: 800-601-6195
DIAL IN DOCUMENT #3029

MOTION SENSOR

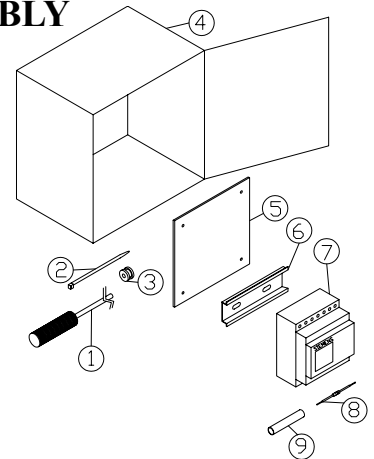


C00174

FUNCTION

The Motion Sensor serves as a monitoring device for the operating system. A Prox Switch is fixed in a designated hole in the idler wheel frame that is located directly above holes in the idler wheel. As the idler wheel turns the holes pass under the Prox Switch enabling the system to monitor variables such as cable travel distance and system run time. The Motion Sensor can also be used to alert the user if the cable has stopped.

PART ASSEMBLY



PART NUMBER DESCRIPTION

ITEM	PART NO.	DESCRIPTION	
1	02046	TURCK 20-250 VAC, 18MM BARREL PROX SWITCH	1
2	01197S	NYLON WIRE TIE	3
3	02050	RUBBER GROMMET	1
4	02043	ENCLOSER STAHLIN FIBERGLASS	1
5	02044	ALUMINUM BACK PANEL	1
6	01654	DIN RAIL - 4"	1
7	02045	PROGRAMABLE RELAY	1
8	02054	RESISTOR, 2 WATT, 22000 OHM	1
9	02055	3/16 SHRINK TUBE, 2"	1